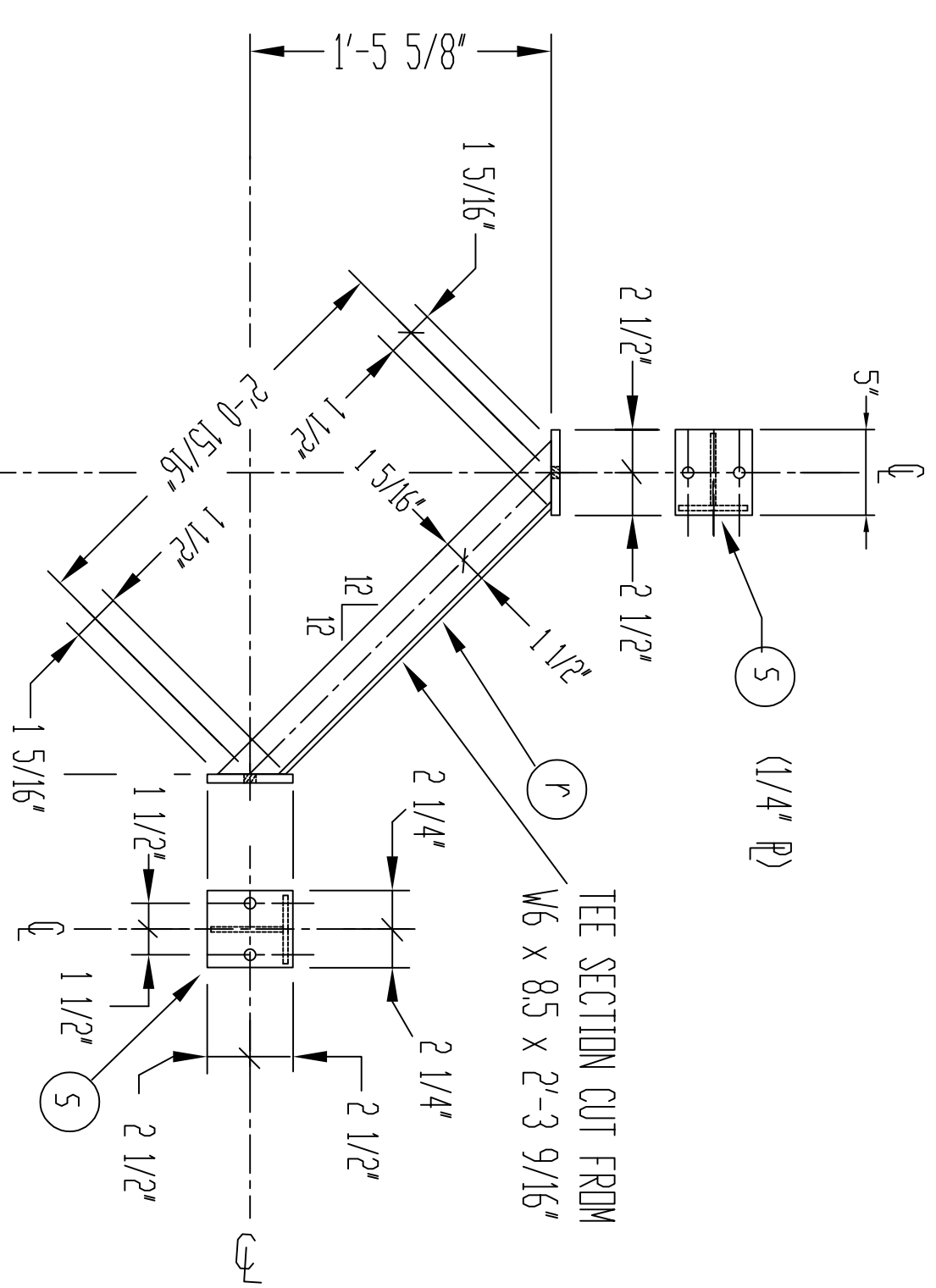
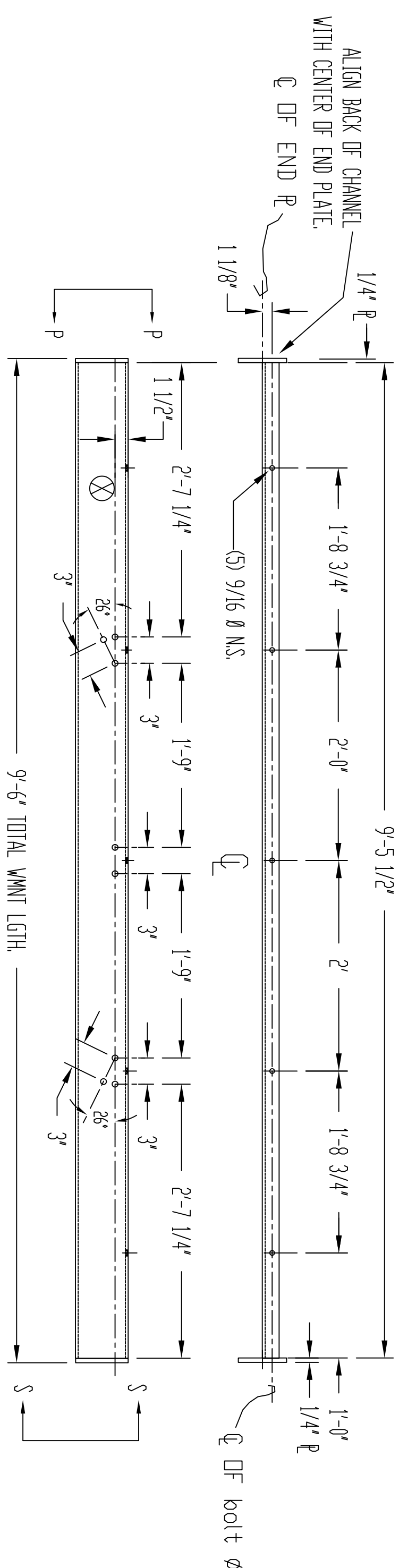
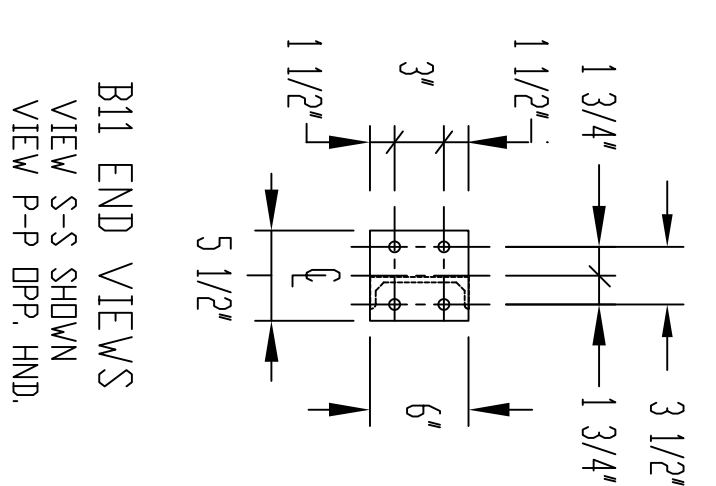
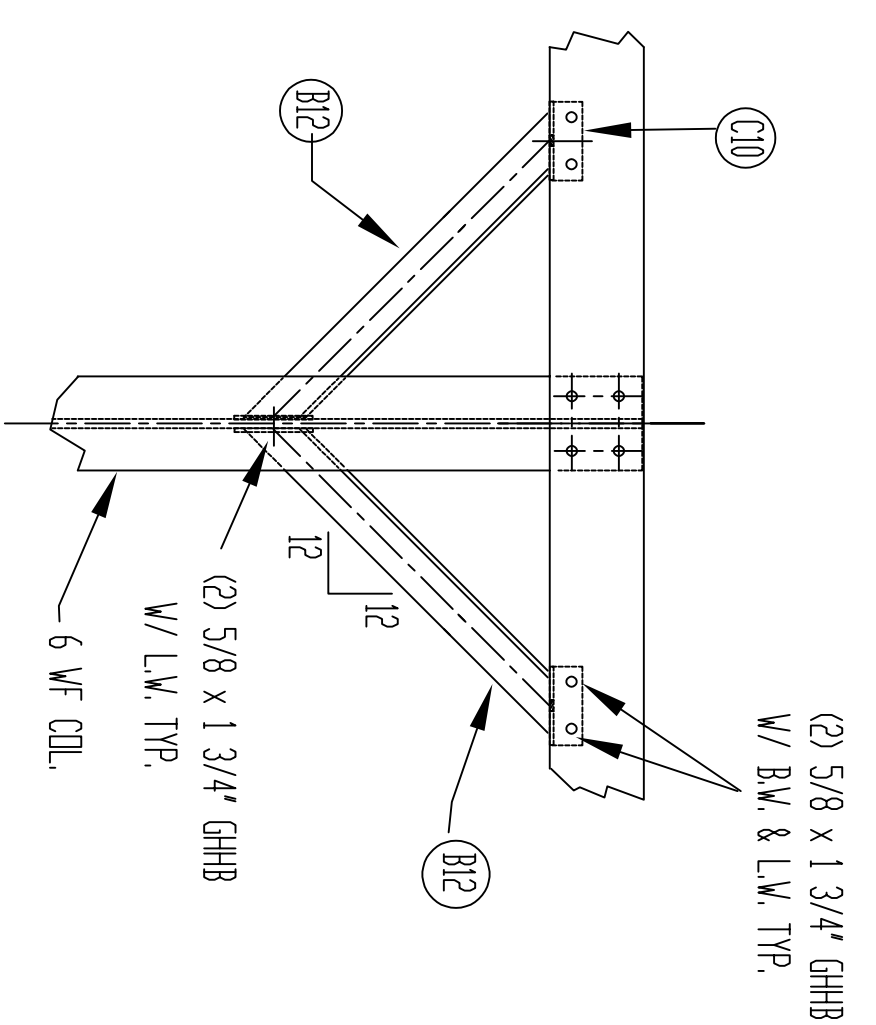
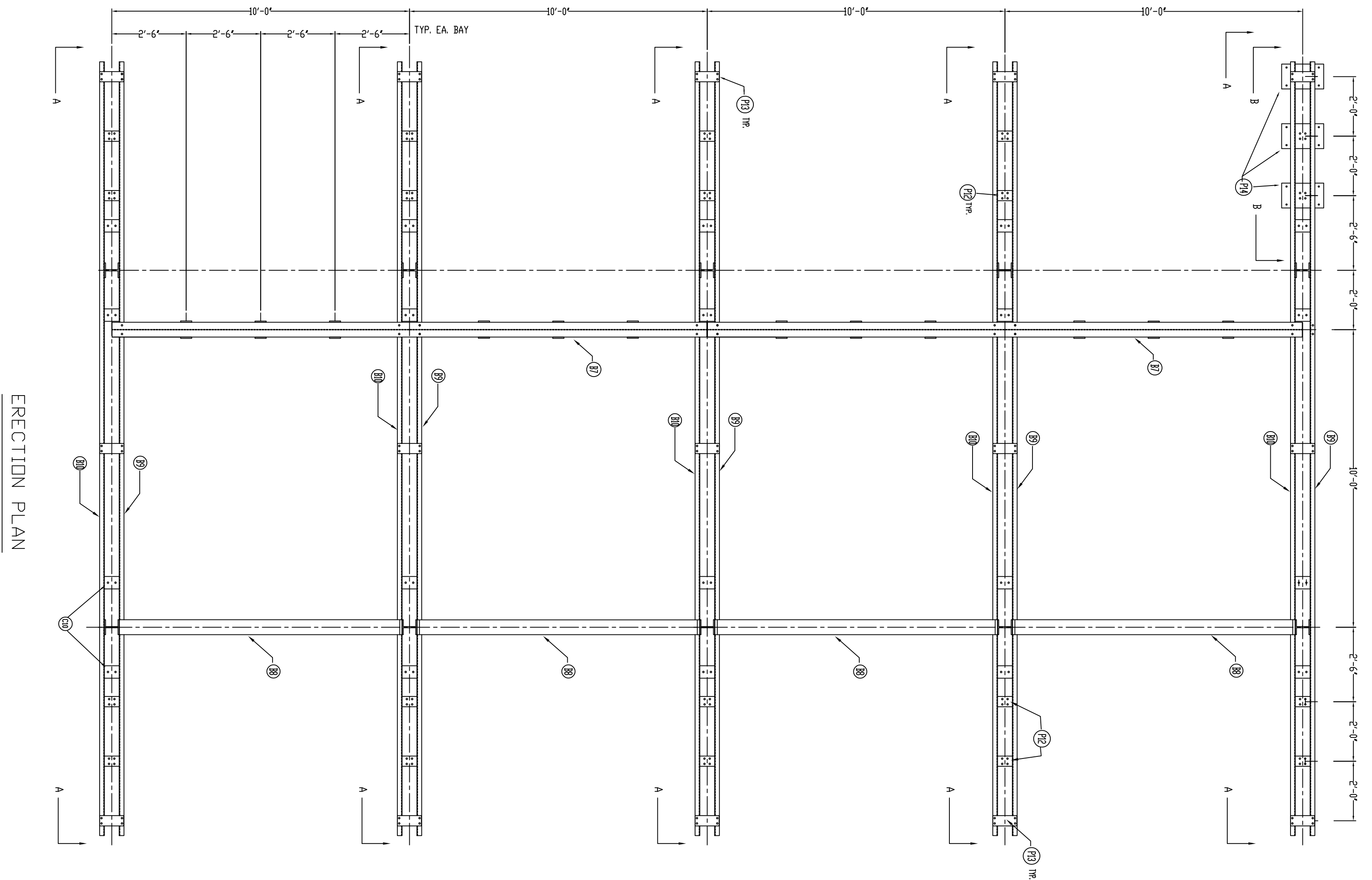
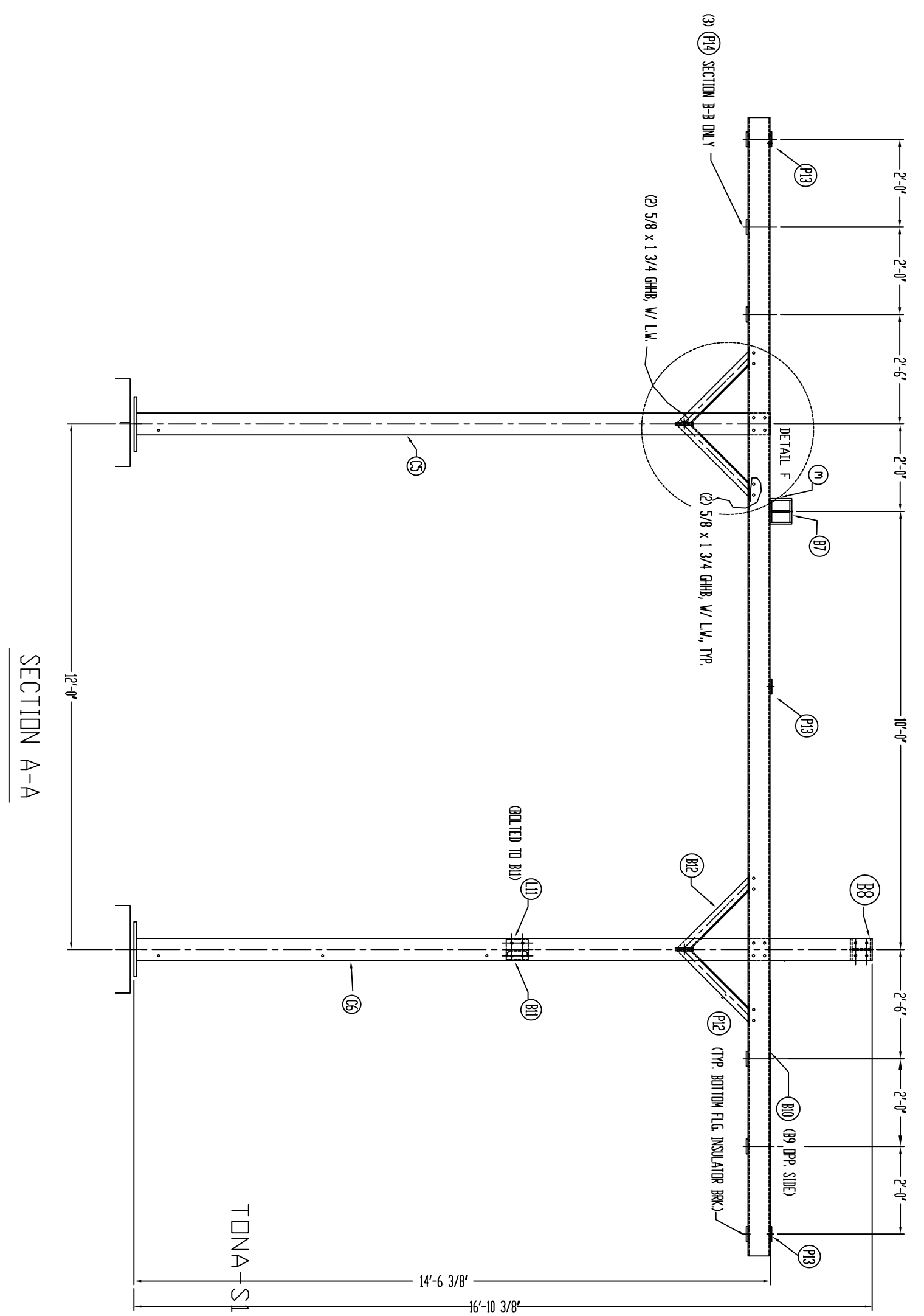


STRUCTURE HAS 8 BAYS, ONLY 4 BAYS ARE SHOWN FOR CLARITY. 4 ADDITIONAL BAYS SHALL BE ERRECTED ON THIS SIDE OF THE SWITCH



1. ALL HOLES REQD. IN NEAR & FAR SIDE FLANGES UNLESS NOTED.
2. ALL HOLES 1 1/16" Ø UNLESS NOTED.
3. ALL ERECTION BOLTS 5/8 x 1 1/2" GHBB UNLESS NOTED.
4. STEEL STAMP MK. NO. ON ALL PIECES W/ 12" LETTERS.



OKANGGAN COUNTY PUD No. 1

Project: 115/13.8KV SUBSTATION
Drawing: DISTRIBUTION STR-STEEL.DWG TONASKET SUBSTATION

REV.	DATE	DESIGNED	ENGINEER	DRAWN	SHEET
A	10/16/19	LP	LP	2 OF 2	
0	10/31/19	SCALE	W.D. No.	DATE	DWG #
		NONE	XXXXXX	10/16/19	TONA-S13-02