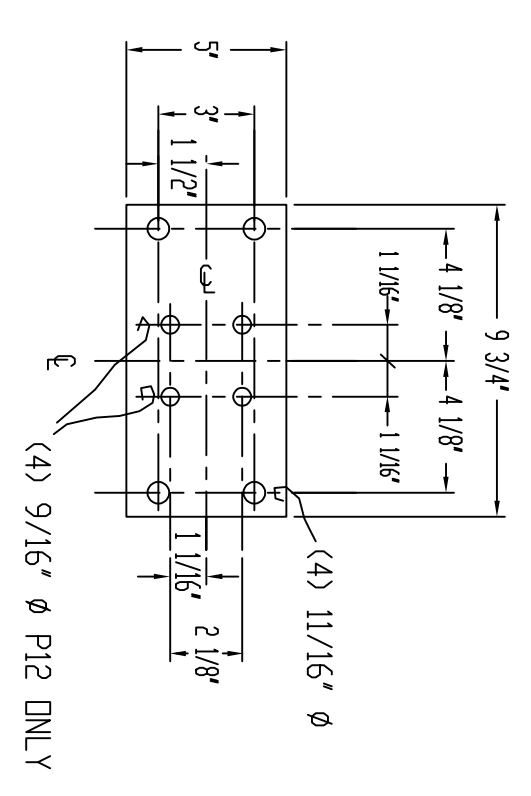
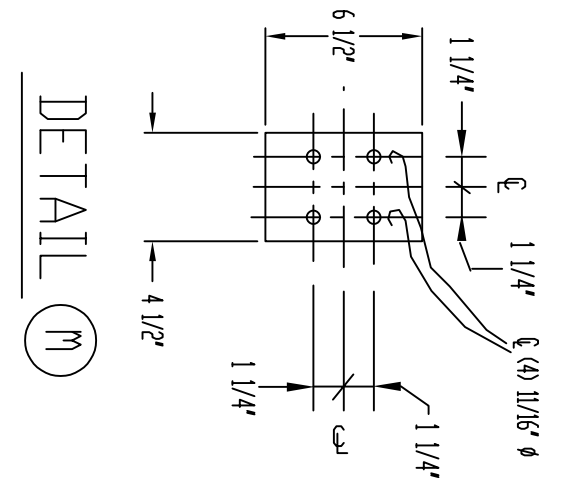
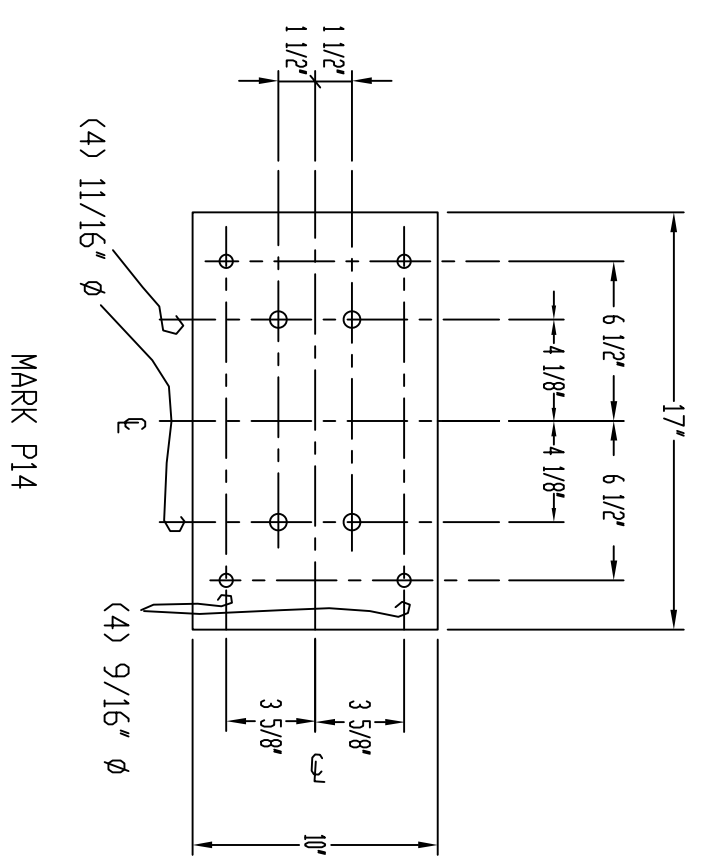
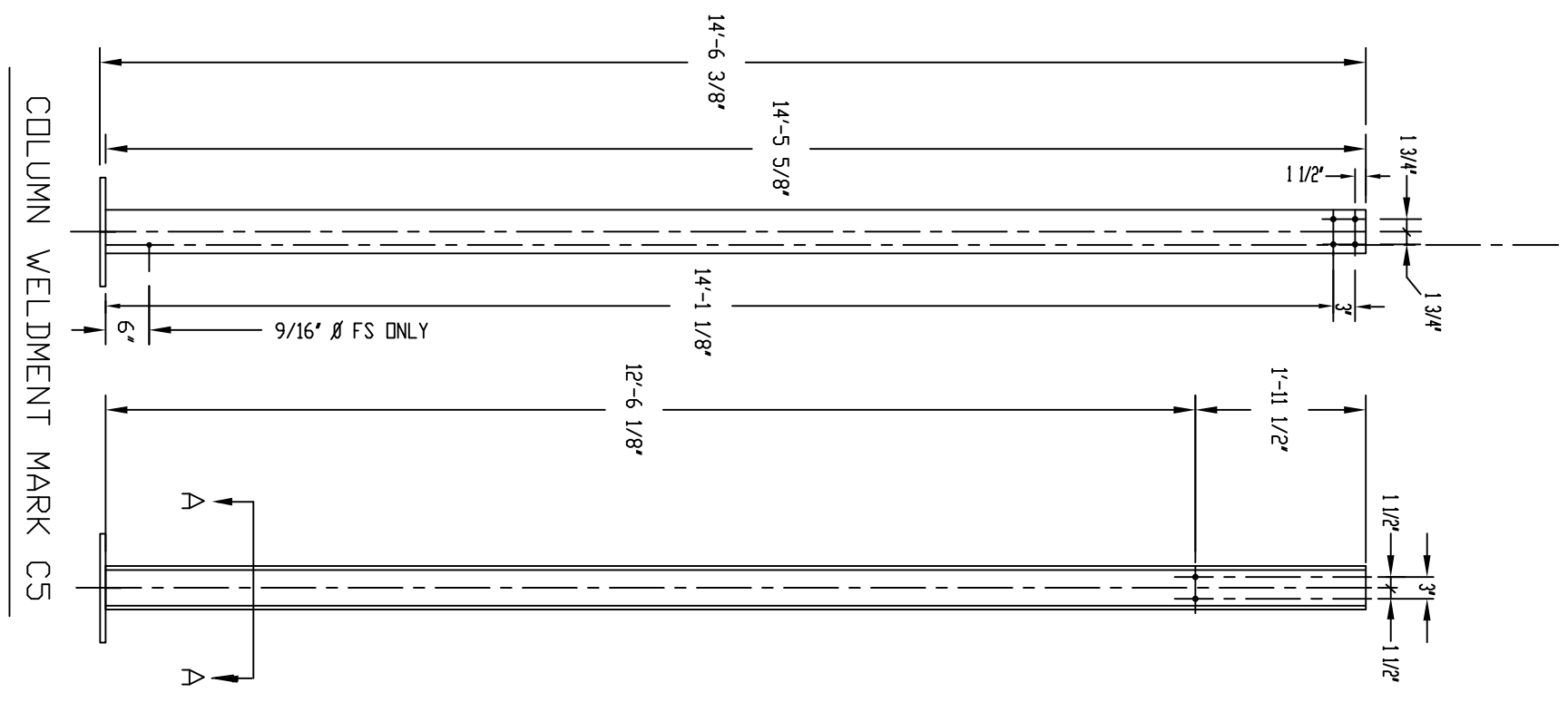
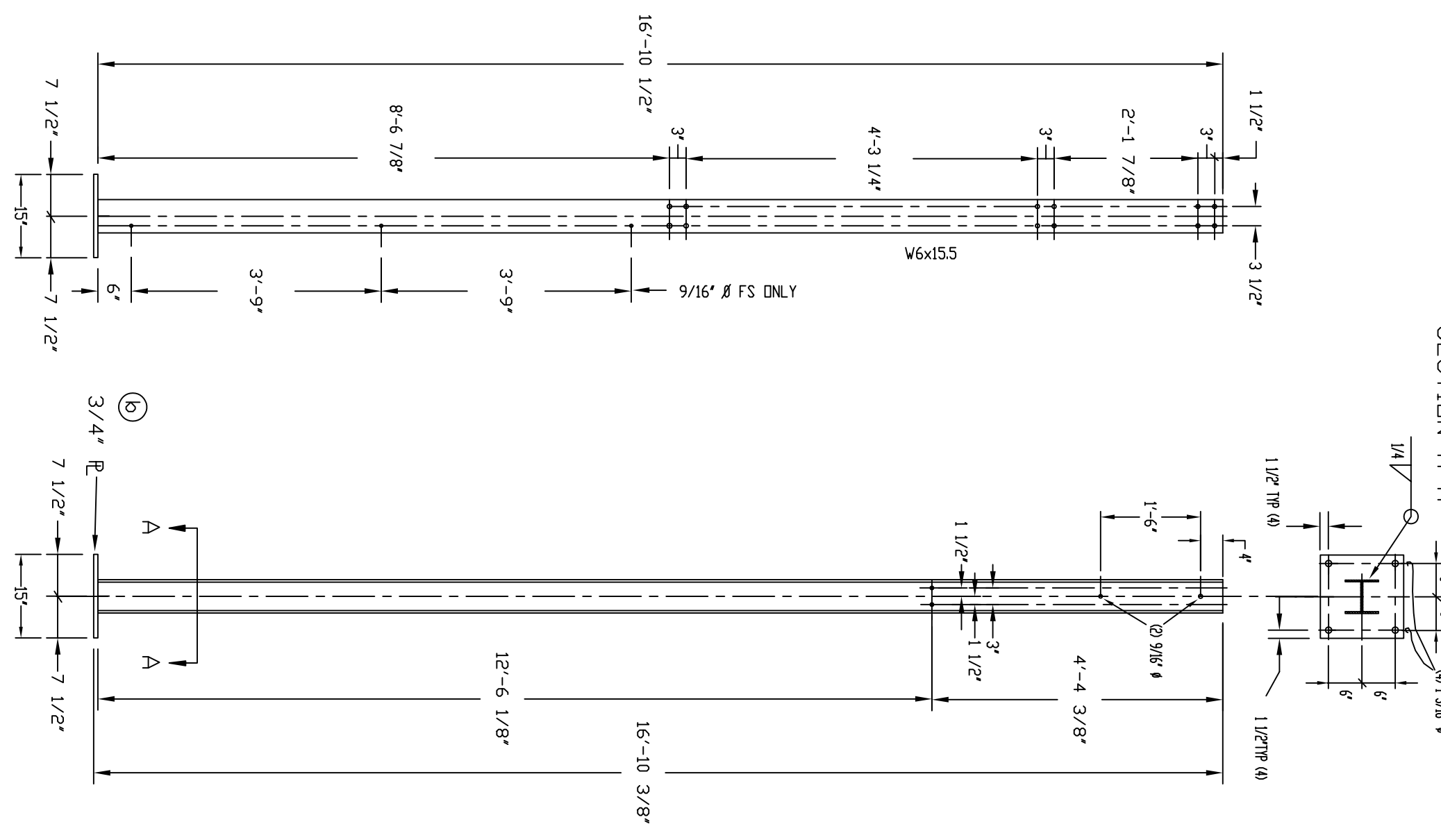
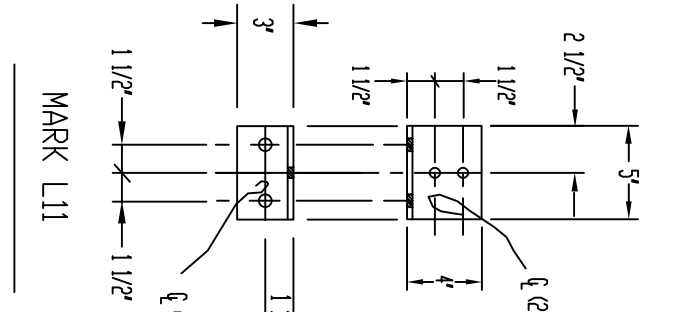


MR. No.	Qty.	Description	Length	Ln.	Comments
C6	9	Column Wldmnt	16	5 7/8	
f	1	W6x15.5	16	5 1/8	
b	1	R 15'x3/4"	1	3	Drill (4) 1- 3/16" holes
C5	9	Column Wldmnt	14	1 7/8	
k	1	W6x15.5	14	1 1/8	
b	1	R 15'x3/4"	1	3	Drill (4) 1- 3/16" holes
B7	4	Beam Wldmnt	19	11 3/4	
l	1	W6 x 15.5	19	11 3/4	
m	12	R 4 1/2'x1/4"	0	6 1/2	
B8	8	Beam Wldmnt	9	6	
n	1	W6 x 15.5	9	5 1/2	
o	2	R 6' x 1/4"	0	6	
B9	9	6 x 82 Channel	26	0	
B10	9	6 x 82 Channel	26	0	
B11	8	Channel Wldmnt	9	5 1/2	
p	1	6 x 82 Channel	9	5 1/2	
q	2	R 5 1/2' x 1/4"	6	6	
B12	36	Brace Wldmnt	2	3 9/16	Cut on web
r	1	W 6x 8.5 (one half)	2	3 9/16	
s	2	R 4 1/2' x 1/4"	5	5	
C10	36	6 x 82 Channel	0	5	
L11	24	3' x 4' x 1/4" X	0	5	
P12	51	R 5' x 1/4"	0	9 3/4	
P13	27	R 5' x 1/4"	0	9 3/4	
P14	3	R 10' x 1/4"	1	5	

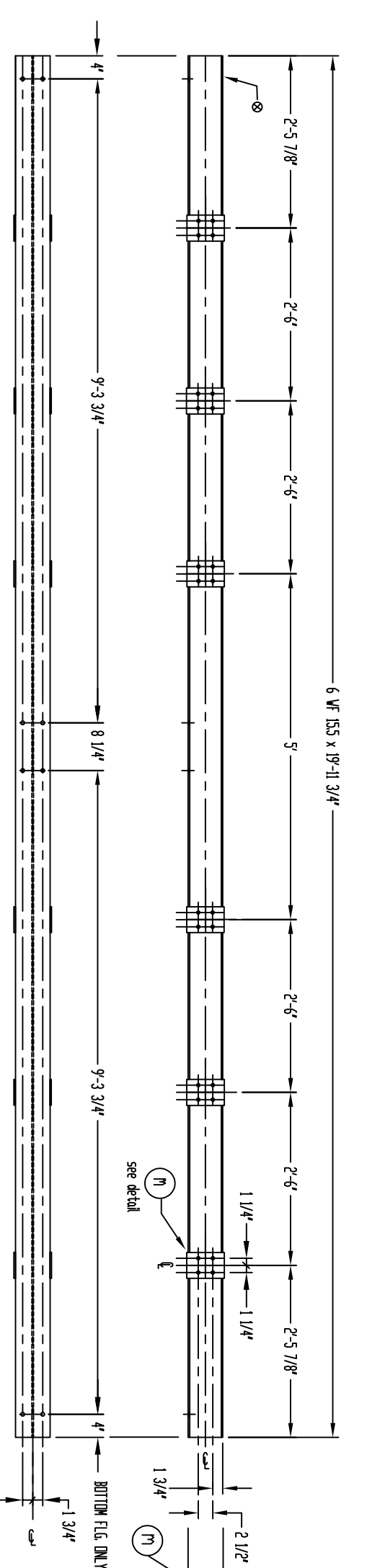
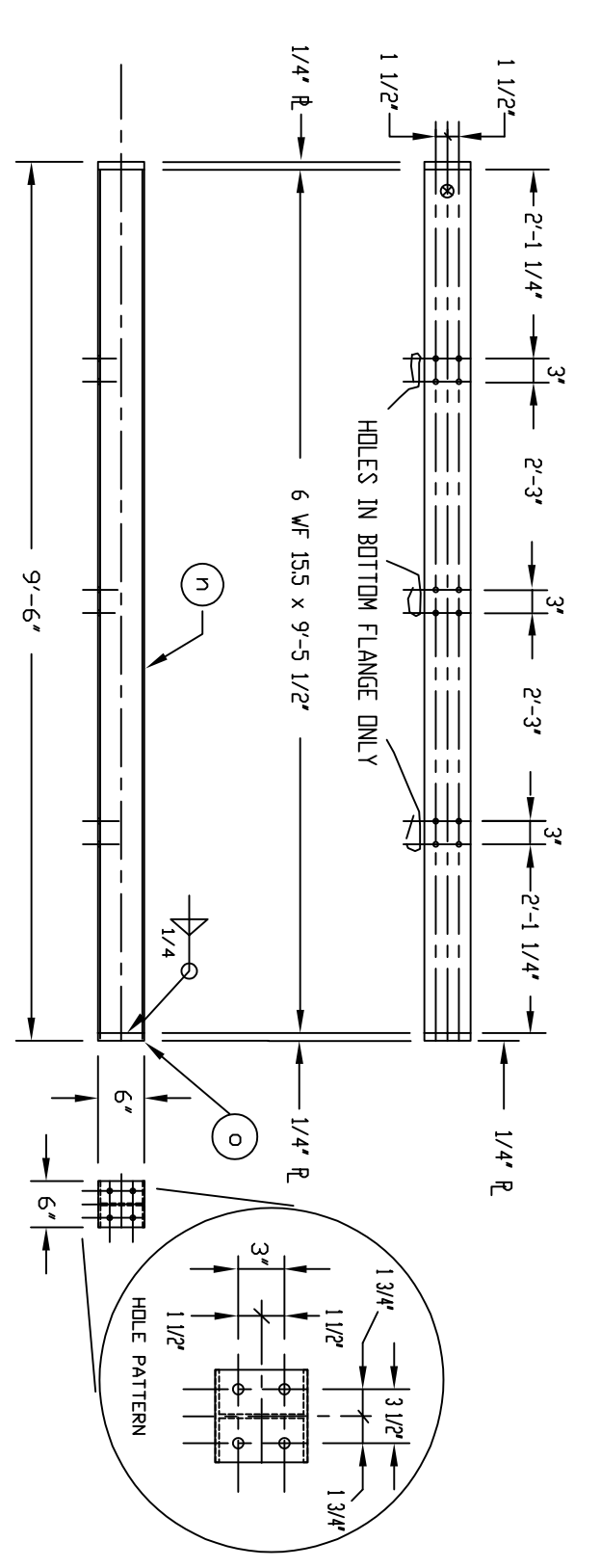
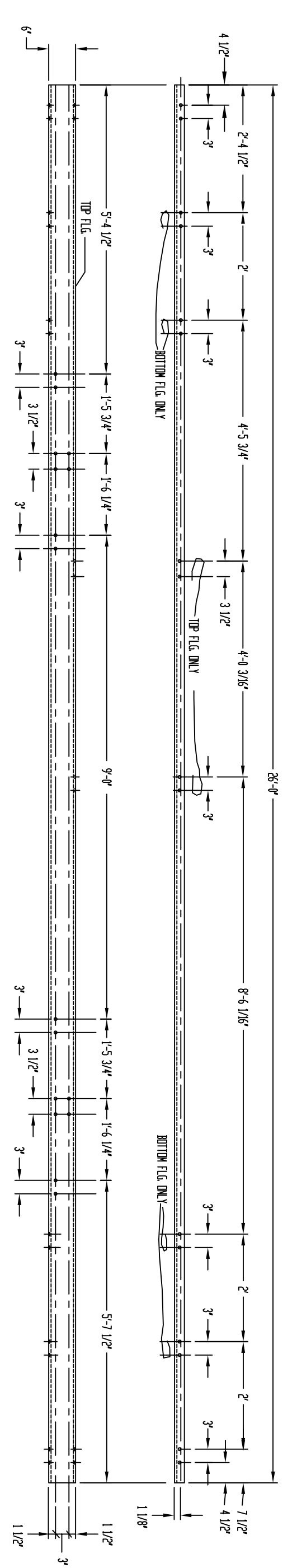
SECTION A-A



MARK P12 AS SHOWN
MARK P13 AS NOTED



1. ALL HOLES REQ'D IN NEAR & FAR SIDE
2. FLANGES UNLESS NOTED
3. ALL HOLES 11/16" Ø UNLESS NOTED
4. STEEL STAMP MK. NO. ON ALL PIECES
5. W/ 1/2" LETTERS. ⊗



OKANOGAN COUNTY PUD NO. 1		Project:	
115/13.8KV SUBSTATION		Drawing:	
DISTRIBUTION STRUCTURE		115/13.8KV SUBSTATION	
REV.	DATE	DESIGNED	ENGINEER
A	10/16/19	LP	ENGINEER
0	10/31/19	SCALE	W.D. No.
		DATE	10/16/19
		DRAWN	LP
		SHEET	1 OF 2
		DWG #	XXXXXX
		DATE	10/16/19
		DWG #	XXXXXX
		DATE	10/16/19
		DWG #	XXXXXX

FILE NAME: TONASKET SUBSTATION
DISTRIBUTION STR-STEEL.DWG
REV. DATE: 10/16/19
DESIGNED: LP
ENGINEER: ENGINEER
DRAWN: LP
SHEET: 1 OF 2
SCALE: W.D. No.
DATE: 10/16/19
DWG #: XXXXXX